

1968-70 Datsun SPL/SRL311




Wiper Circuits LHD

By Curtis Marsten ©2020

This drawing is for information only and may contain errors. It may be used freely for noncommercial purposes.

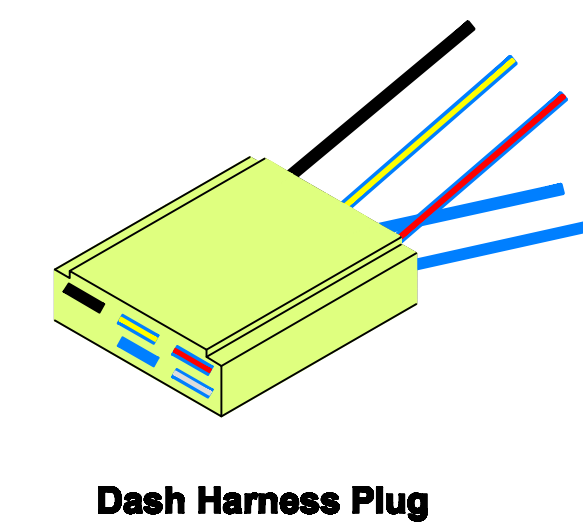
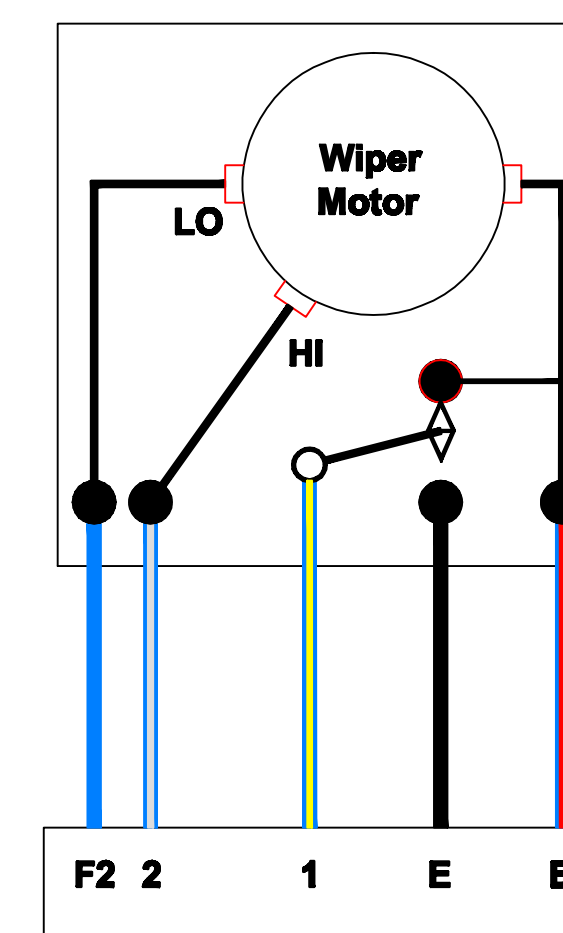
Sheet size: 24" x 36" Architectural D

1. Wire gauge callouts based on best guess.
2. Diagram created from original 40 plus year old Nissan/Datsun harnesses, schematics and use of ohmmeter. Later harnesses from Nissan may have color changes to wires. Consult schematics on 311s.org for notes on this.
3. Drawing is a graphical representation and not to scale.

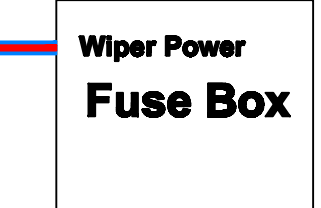
	W=White
	Bk=Black
	Bl=Blue
	Bl=Blue
	Bl=Blue
	Y=Yellow
	G=Green
	G=Green
	R=Red

Different shades of colors used for clarity.

B = B+
 E = Earth
 1 = Switch
 2 = High
 F2 = Low



Dash Harness Plug



Wiper Power Fuse Box

